



AGES
6+

Read through this entire instruction manual BEFORE using Sky Liner 3D Wind Up Puzzle.

We're dedicated to bringing you well-designed products that make living fun and easy. We stand behind all our products and warrant this to be free from defects in workmanship and materials for 30 days from the date of purchase.

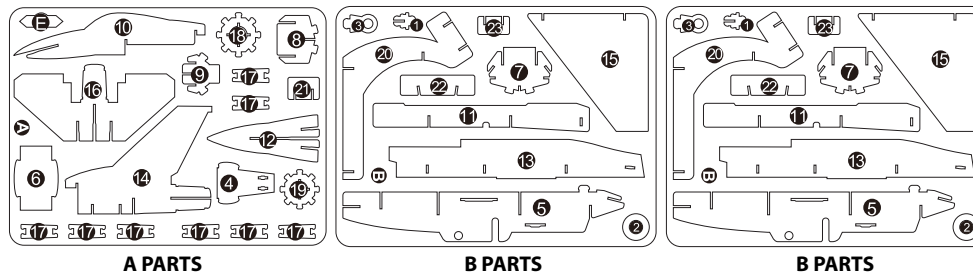
For service claims or questions please consult our website ProtocolNY.com.



Images may vary from actual product

PROTOCOL

PARTS

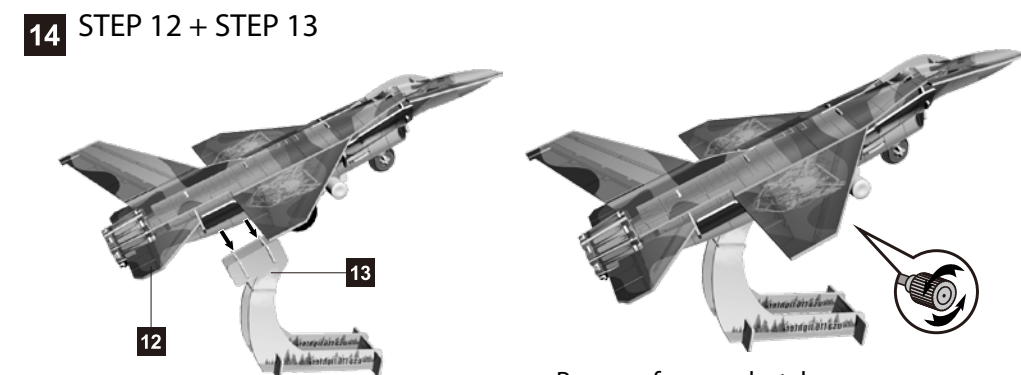
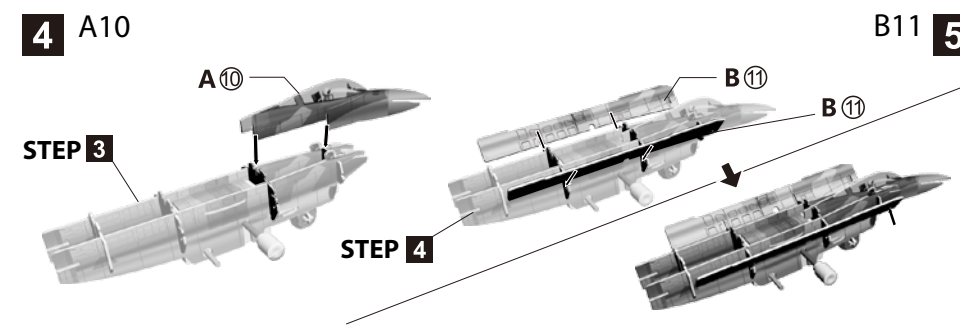
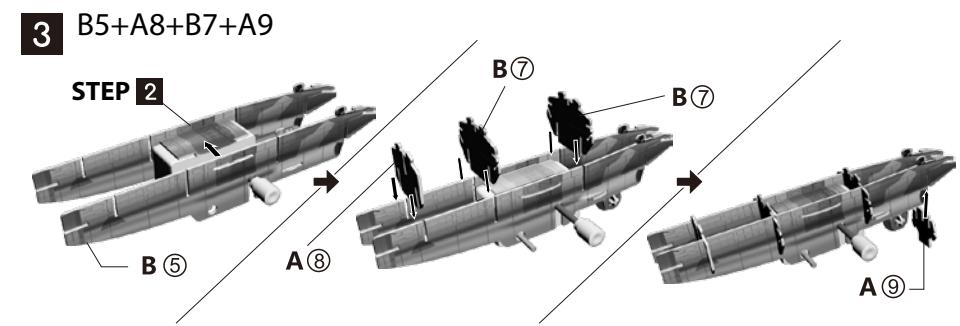
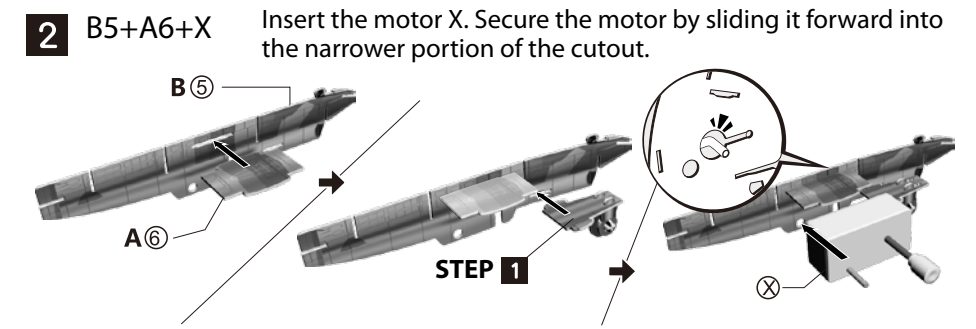
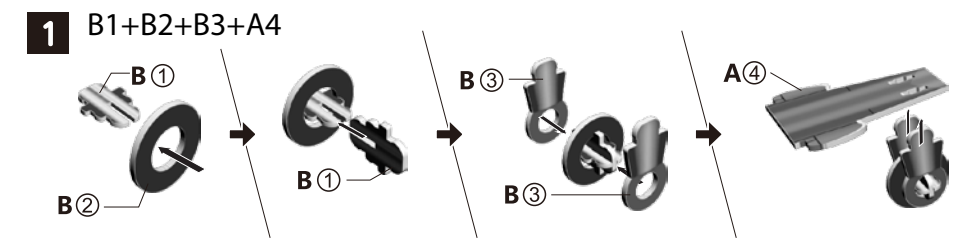


Use this awl to punch out pieces.



ASSEMBLY

NOTE: Make sure all pieces are pressed in all the way in order to securely interlock and leave room for later pieces.



Remove from pedestal and wind motor to move.

